

DETAILS REQUIRED TO MATCH AN EXISTING ROOF

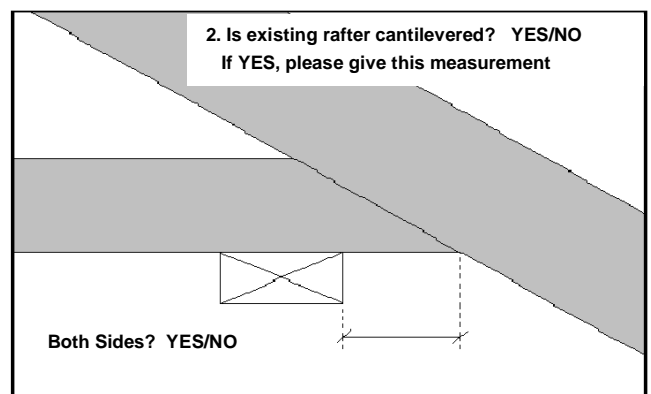
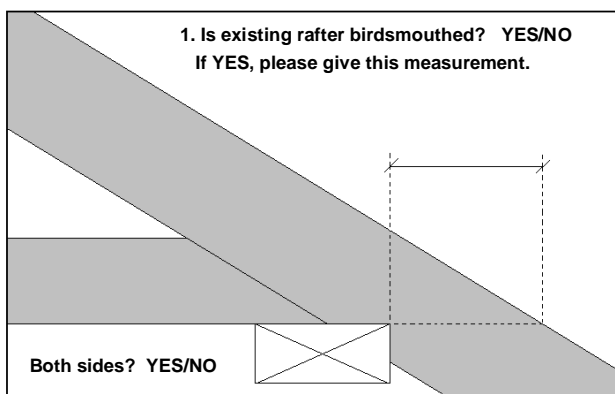
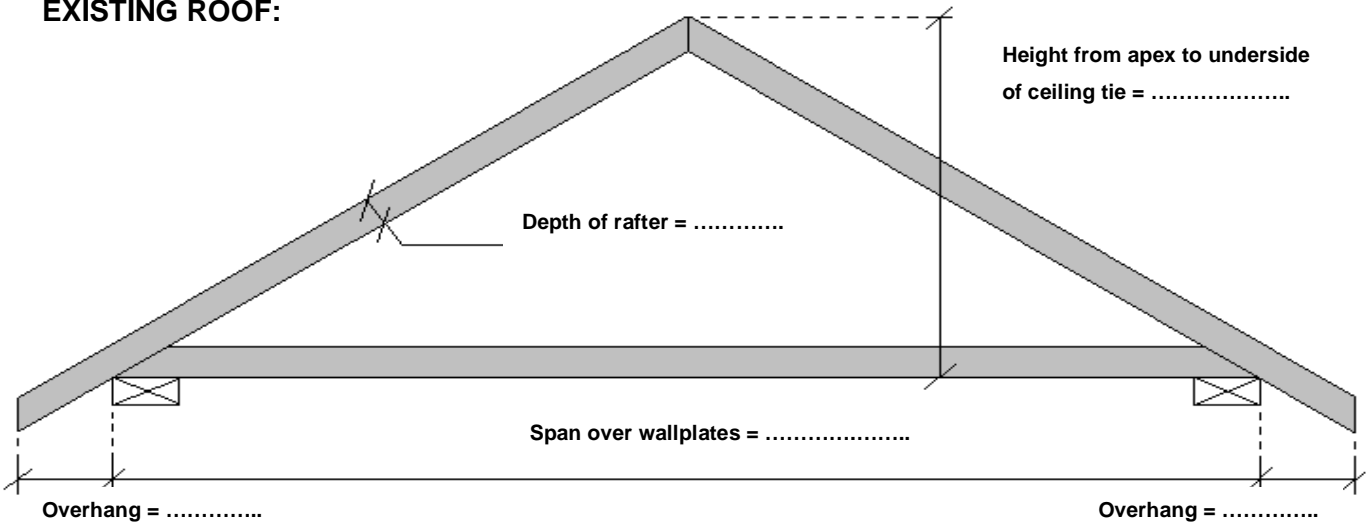
Customer:
.....
.....
.....

Site Address:
.....
.....
.....

Estimate / Ref. No.....

NEW ROOF: Span over wallplates =

EXISTING ROOF:



Are one or more wallplates level, and in line with the existing wallplate? **YES / NO**

If **NO**, please draw a sketch through eaves showing position of existing and new wallplates in relation to each other, and to the intersection point at the underside of ceiling tie and rafter.

Signed:

Date: